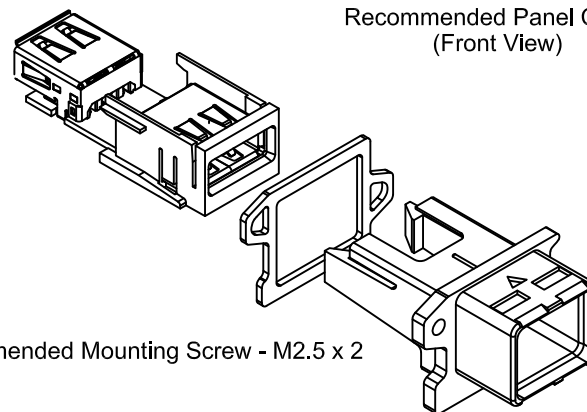


Recommended Panel Cutout  
(Front View)



Recommended Mounting Screw - M2.5 x 2

### Materials and Finish

Housing: Polycarbonate  
20% Glass Filled, UL 94V-0  
Rated, Black Color

Shield: Steel, Nickel Plated

Contact Materials:  
Phosphor Bronze

Contact Plating:  
Gold Flash Plated on Contact  
Area, Tin Plated on Solder Tails,  
All over Nickel Underplate

### Electrical Characteristics

Rated Current: 1.5A

Rated Voltage: 30V

Insulation Resistance:  
500 Megohms Min. at 500V DC

Contact Resistance:  
50 milliohms Max.

Dielectric Withstanding Voltage:  
500V AC RMS for 1 Minute

### Mechanical Characteristics


Insertion Force: 0.4kg - 3.0kg

Withdrawal Force: 0.3kg - 3.0kg

Durability: 1000 Mating Cycles Min.

Operating Temperature:  
-25°C to +85°C

Schutzvermerk nach DIN 16016 beachten.

		Datum	Name	Maßstab: 1:1.00
	Bearb.	15.07.16	Angheluta	
	Gepr.			Art.Nr.: USB-AnsV2/A-A
	INDEX: 01			Beschr.: USB Durchführung